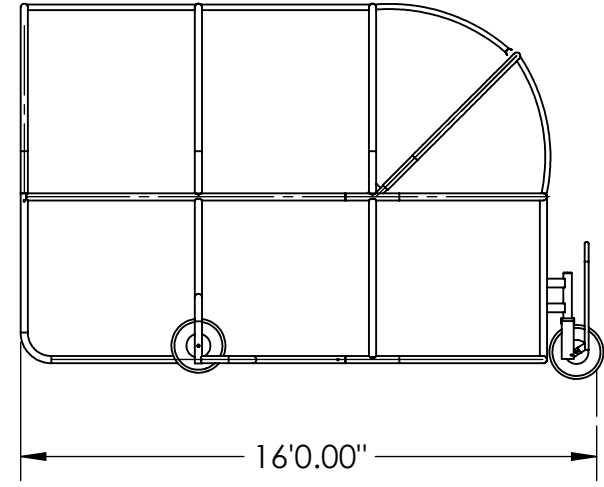
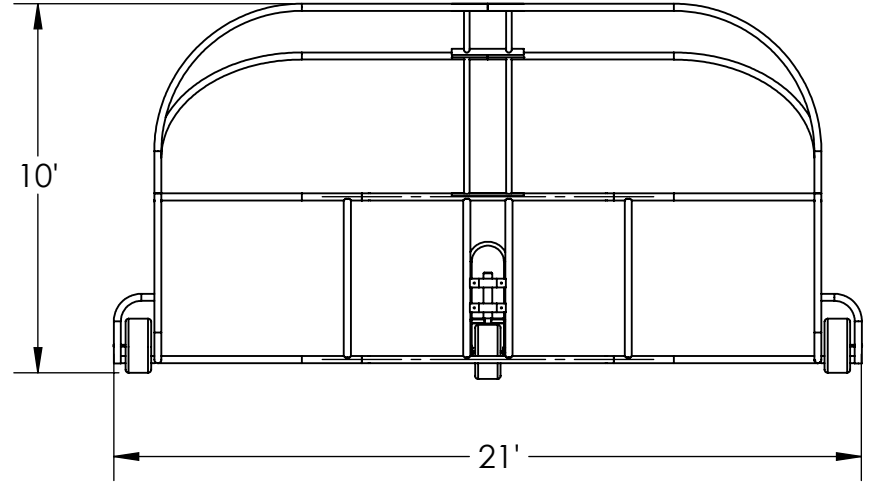
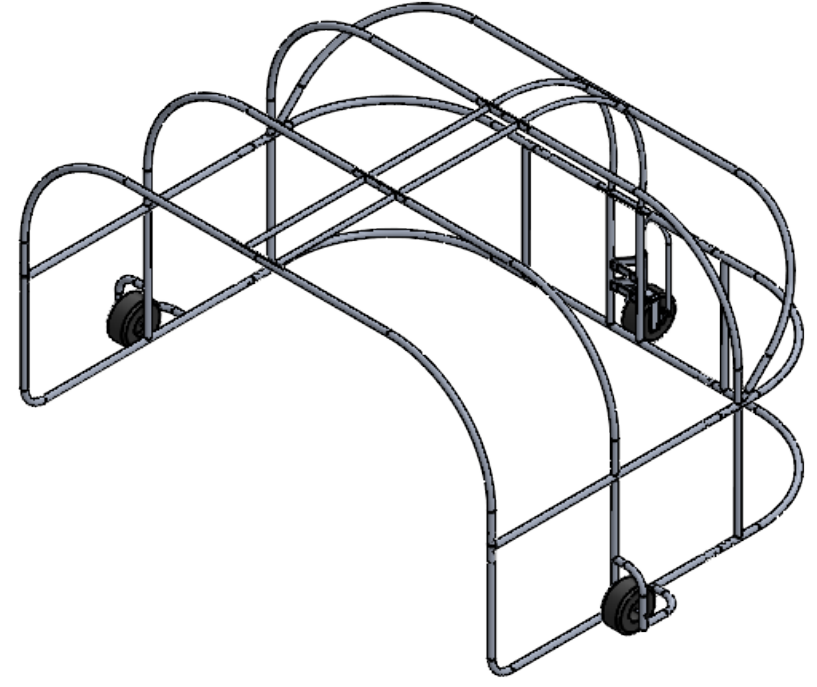
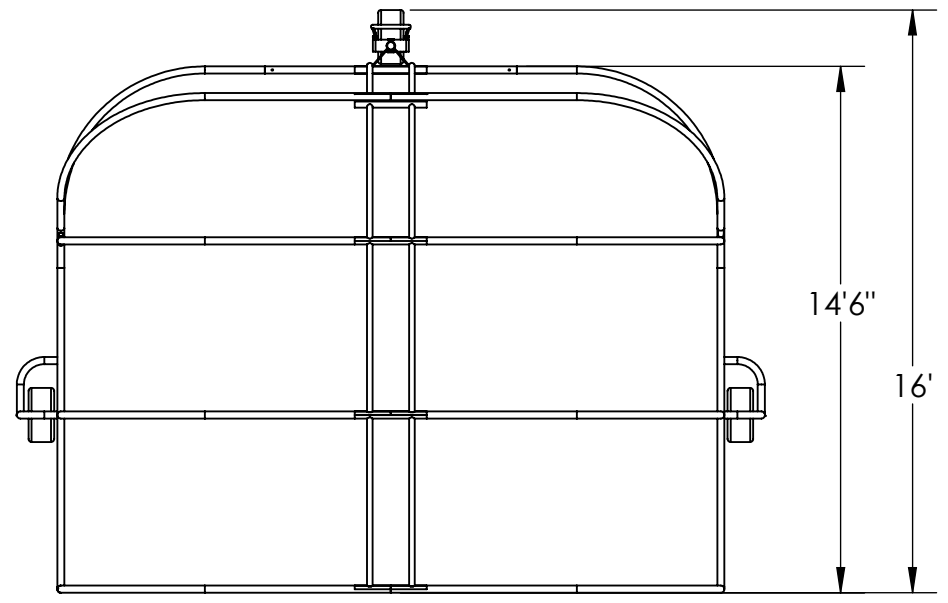


4

3

2

1



B

B

A

A

4

3

2

1

Main Florida Office:
 C&H Baseball, Inc.
 10615 Technology Terrace #100
 Lakewood Ranch, FL 34211
 Phone : 941-727-1533
 Fax : 941-462-3076
 Toll Free: (800) 248-5192
 Email: AP@chbaseball.com
 Website: www.chbaseball.com/



PROPRIETARY AND CONFIDENTIAL
 THE INFORMATION CONTAINED IN THIS DRAWING IS THE SOLE PROPERTY OF C&H BASEBALL. ANY REPRODUCTION IN PART OR AS A WHOLE WITHOUT THE WRITTEN PERMISSION OF C&H BASEBALL IS PROHIBITED.

COMMENTS:
 UNLESS OTHERWISE SPECIFIED:
 DIMENSIONS ARE IN FEET-INCHES AND FOR APPROXIMATIONS ONLY
 DO NOT SCALE DRAWING

NAME	DATE
mmiller	11/18/19

DESCRIPTION:
CAG-100 PROFILE DIMENSIONS

SIZE	DWG. NO.	REV
B	CAG-100-RD	0

SCALE: 1:64 SHEET 4 OF 27