

4

3

2

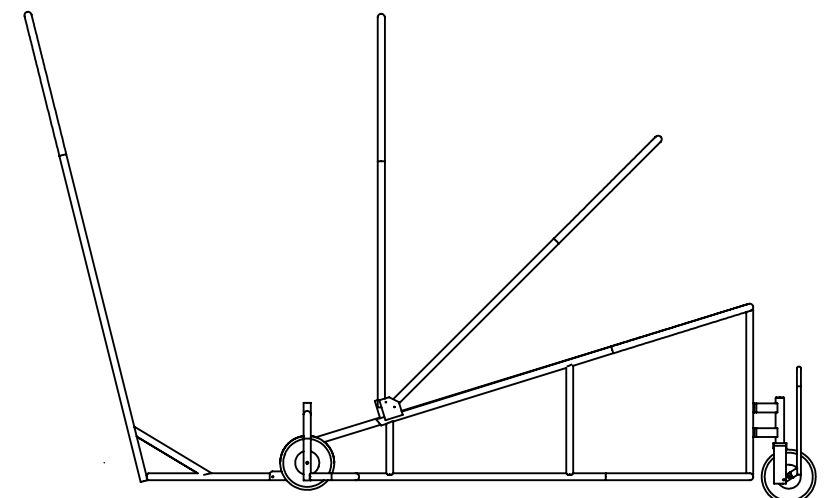
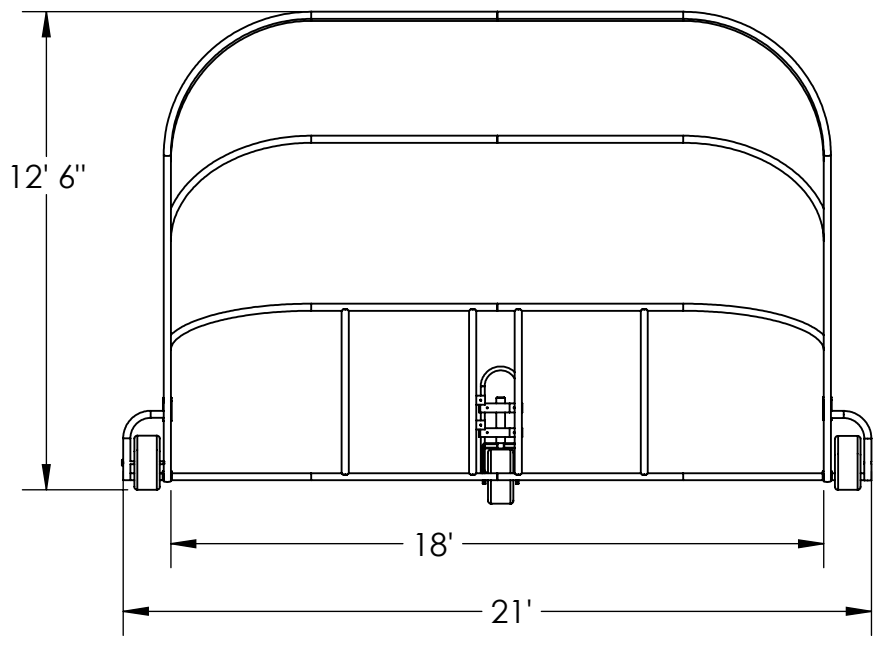
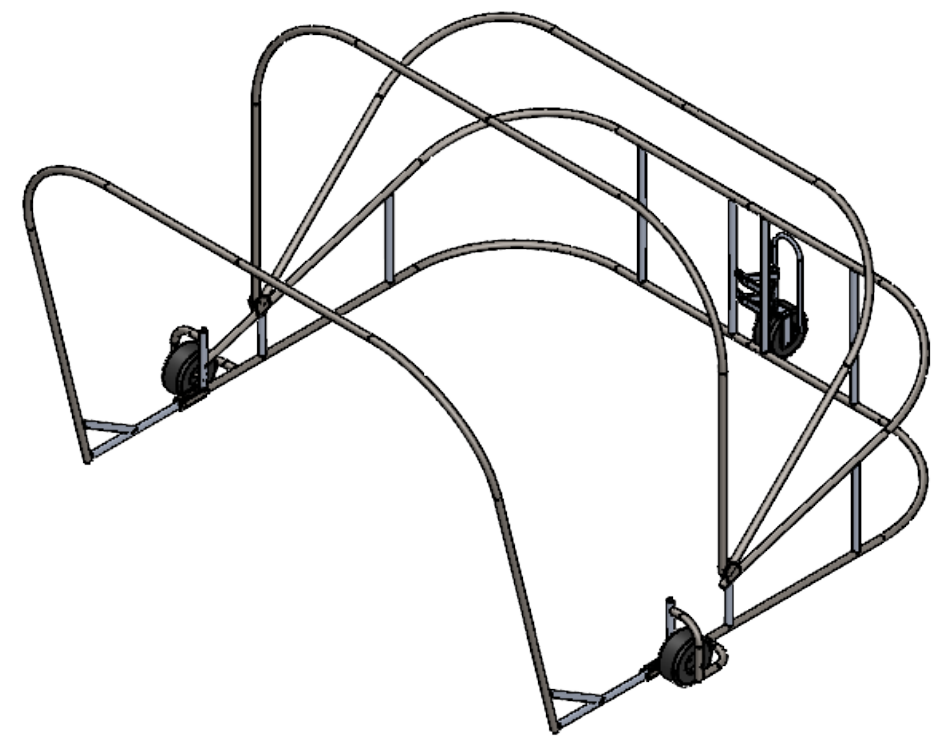
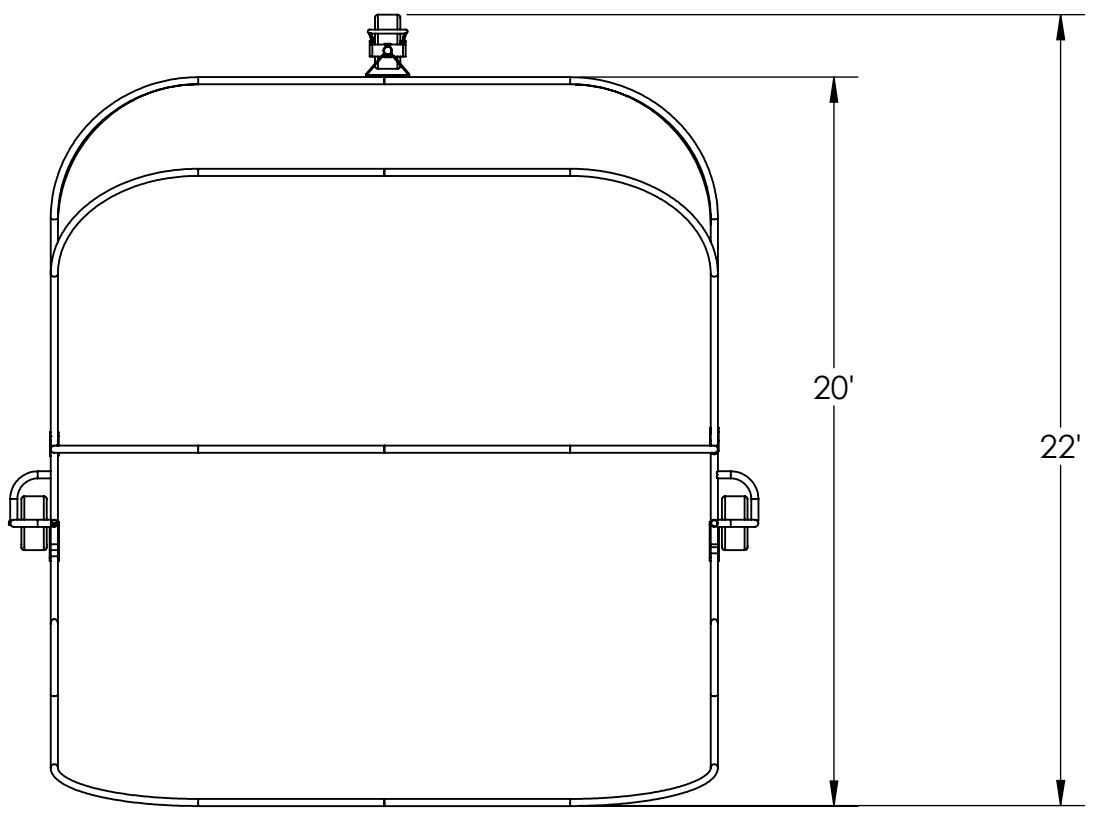
1

B

B

A

A



Main Florida Office:
 C&H Baseball, Inc.
 10615 Technology Terrace #100
 Lakewood Ranch, FL 34211
 Phone : 941-727-1533
 Fax : 941-462-3076
 Toll Free: (800) 248-5192
 Email: AP@chbaseball.com
 Website: www.chbaseball.com/



	NAME	DATE
DRAWN	mmiller	07/21/2020
CHECKED		

DESCRIPTION:
CAG 200 OVERALL DIMENSIONS OPEN

PROPRIETARY AND CONFIDENTIAL
 THE INFORMATION CONTAINED IN THIS DRAWING IS THE SOLE PROPERTY OF C&H BASEBALL. ANY REPRODUCTION IN PART OR AS A WHOLE WITHOUT THE WRITTEN PERMISSION OF C&H BASEBALL IS PROHIBITED.

COMMENTS:
 UNLESS OTHERWISE SPECIFIED:
 DIMENSIONS ARE IN FEET-INCHES (METER)
 AND FOR APPROXIMATIONS ONLY
 DO NOT SCALE DRAWING

SIZE	DWG. NO.	REV
B	CAG-200-RDO	0
SCALE: 1:64		SHEET 3 OF 19

4

3

2

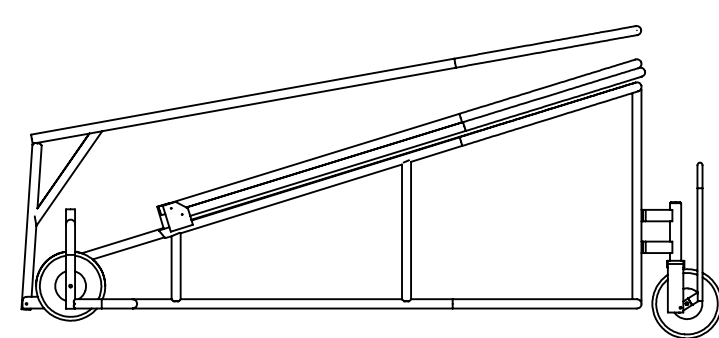
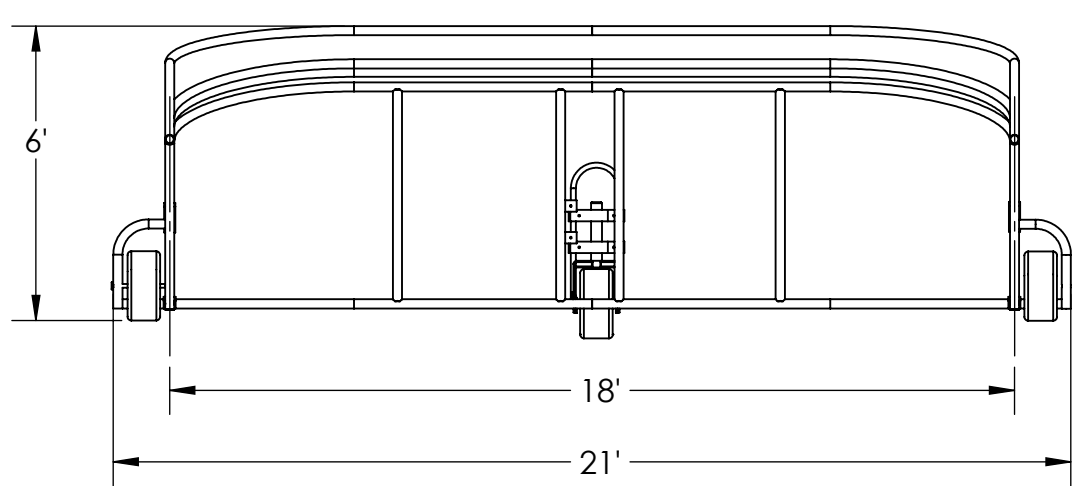
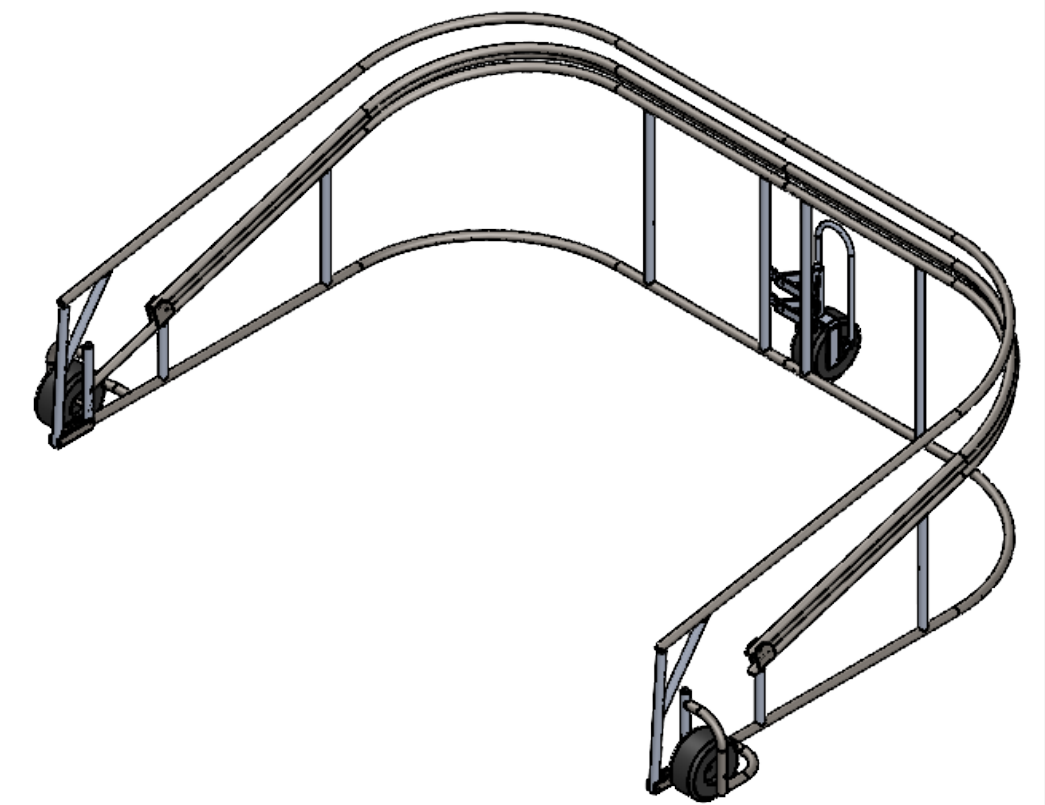
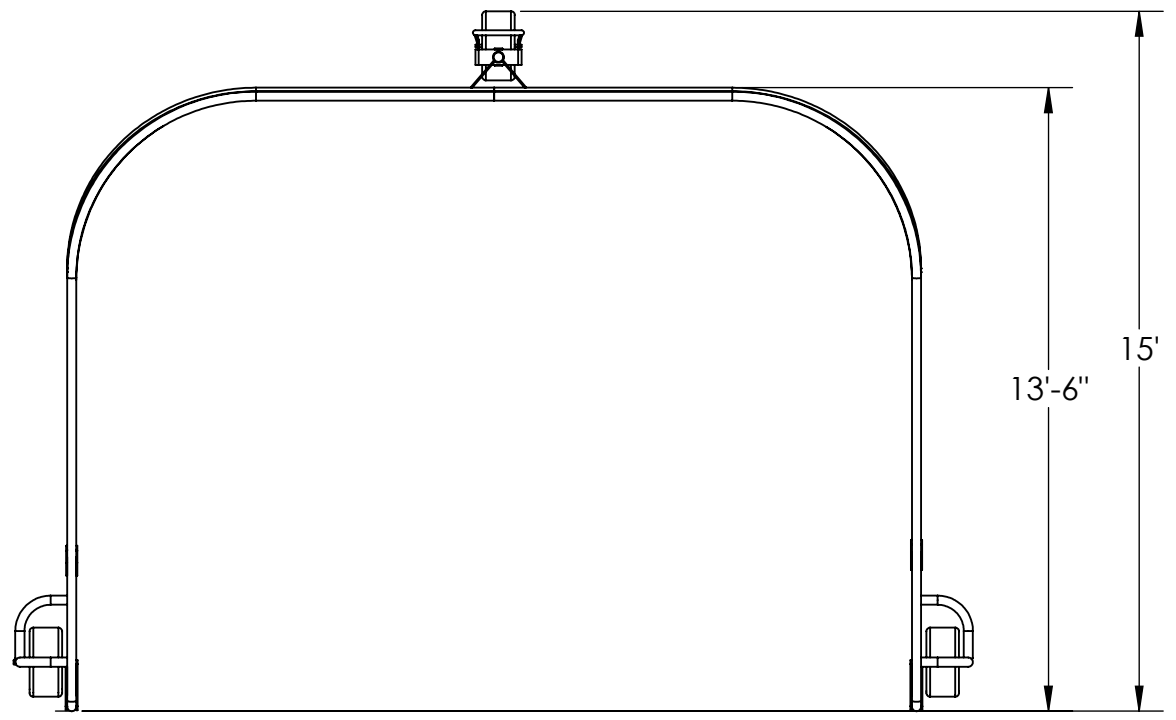
1

4

3

2

1



Main Florida Office:
 C&H Baseball, Inc.
 10615 Technology Terrace #100
 Lakewood Ranch, FL 34211
 Phone : 941-727-1533
 Fax : 941-462-3076
 Toll Free: (800) 248-5192
 Email: AP@chbaseball.com
 Website: www.chbaseball.com/



PROPRIETARY AND CONFIDENTIAL
 THE INFORMATION CONTAINED IN THIS DRAWING IS THE SOLE PROPERTY OF C&H BASEBALL. ANY REPRODUCTION IN PART OR AS A WHOLE WITHOUT THE WRITTEN PERMISSION OF C&H BASEBALL IS PROHIBITED.

COMMENTS:
 UNLESS OTHERWISE SPECIFIED:
 DIMENSIONS ARE IN FEET-INCHES (METER)
 AND FOR APPROXIMATIONS ONLY
 DO NOT SCALE DRAWING

NAME		DATE
DRAWN	mmiller	07/21/2020
CHECKED		
PROJECT: CAG 200 DIMENSIONS CLOSED		
SIZE	DWG. NO.	REV
B	CAG-200-RDC	0
SCALE: 1:50		SHEET 4 OF 19

4

3

2

1

B

B

A

A