

4

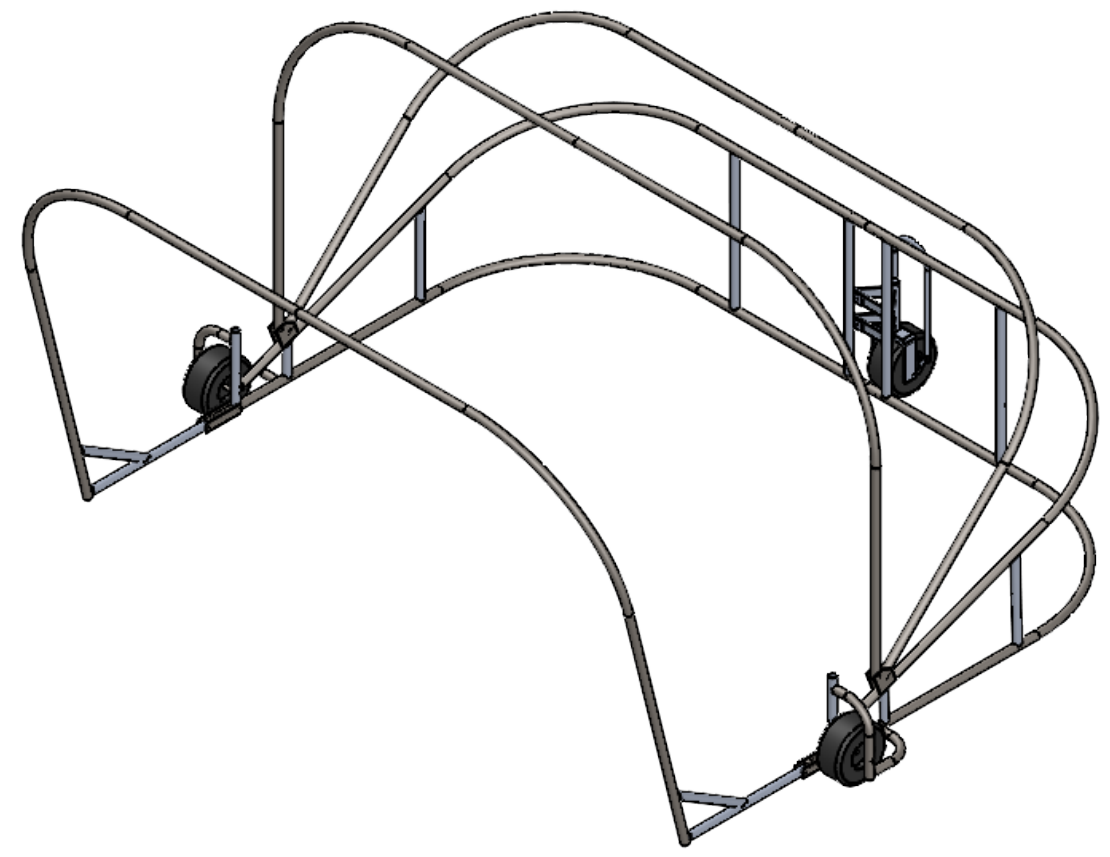
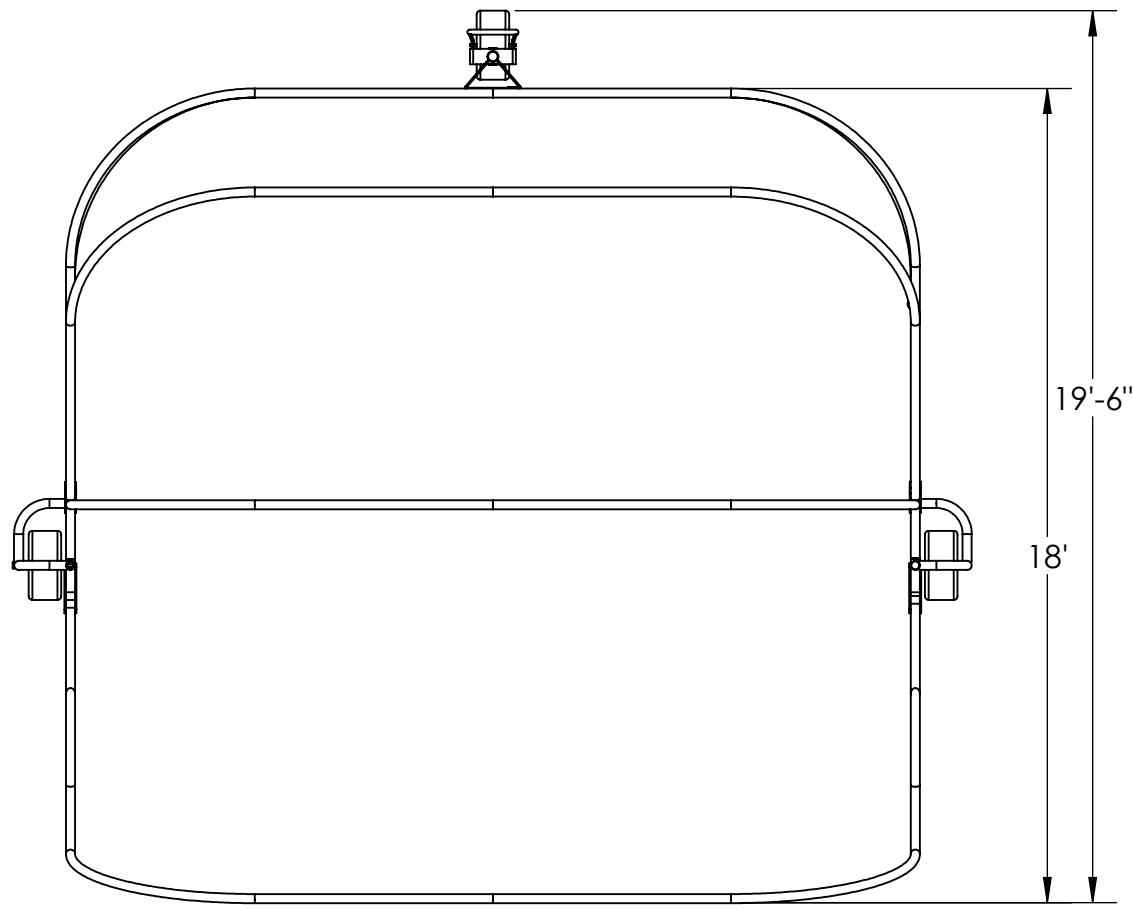
3

2

1

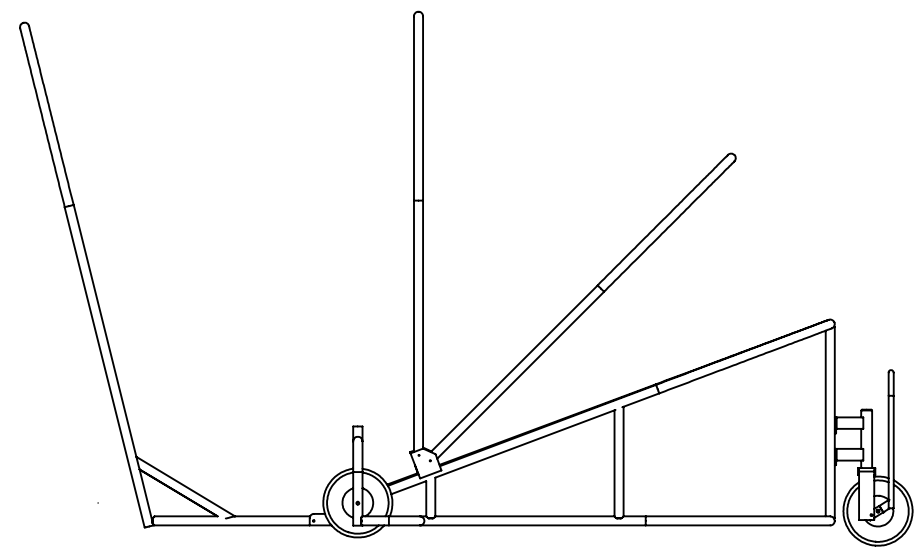
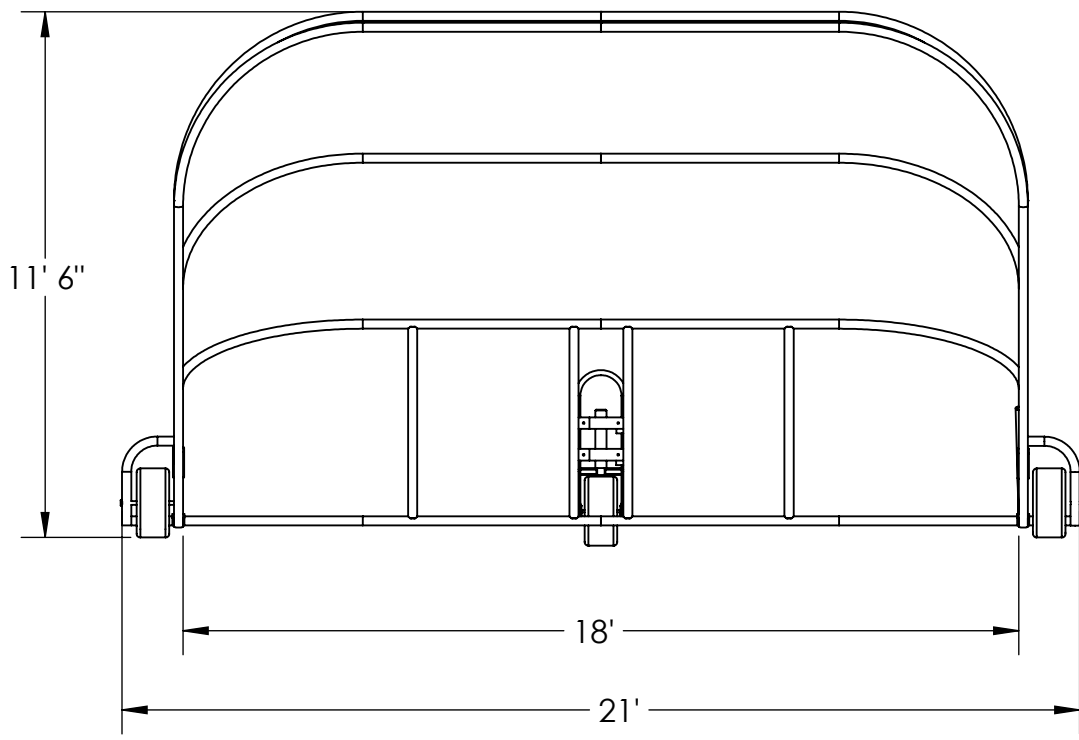
B

B



A

A



Main Florida Office:
 C&H Baseball, Inc.
 10615 Technology Terrace #100
 Lakewood Ranch, FL 34211
 Phone : 941-727-1533
 Fax : 941-462-3076
 Toll Free: (800) 248-5192
 Email: AP@chbaseball.com
 Website: www.chbaseball.com/



PROPRIETARY AND CONFIDENTIAL
 THE INFORMATION CONTAINED IN THIS DRAWING IS THE SOLE PROPERTY OF C&H BASEBALL. ANY REPRODUCTION IN PART OR AS A WHOLE WITHOUT THE WRITTEN PERMISSION OF C&H BASEBALL IS PROHIBITED.

COMMENTS:
 UNLESS OTHERWISE SPECIFIED:
 DIMENSIONS ARE IN FEET-INCHES (METER)
 AND FOR APPROXIMATIONS ONLY
 DO NOT SCALE DRAWING

NAME		DATE
DRAWN	mmiller	07/21/2020
CHECKED		
DESCRIPTION:		
CAG 300 DIMENSIONS - OPEN		
SIZE	DWG. NO.	REV
B	CAG-300-RDO	0
SCALE: 1:50		SHEET 5 OF 21

4

3

2

1

4

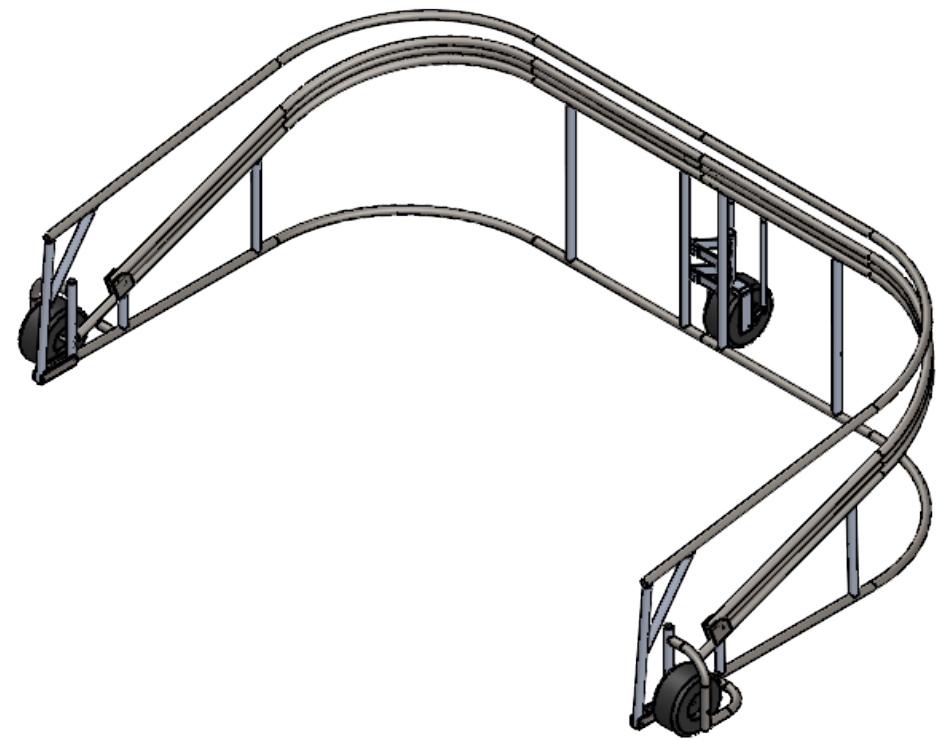
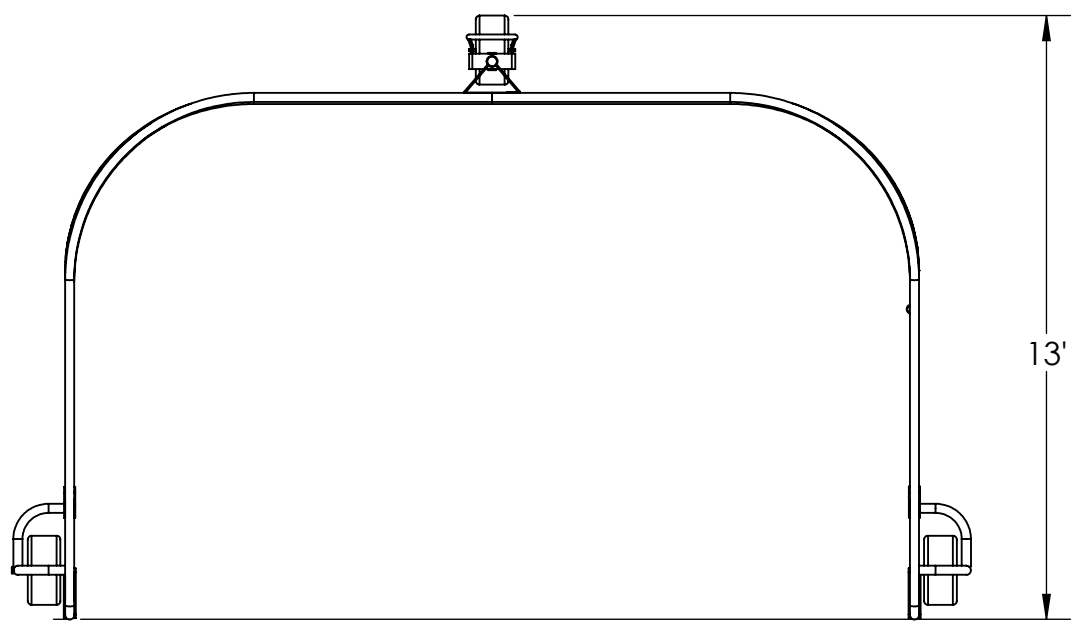
3

2

1

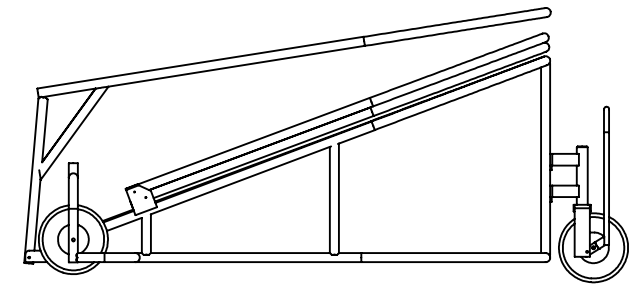
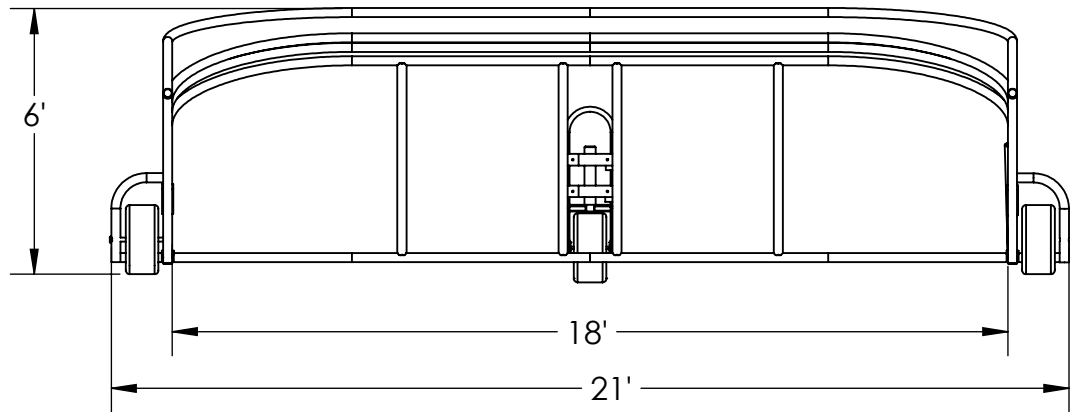
B

B



A

A



Main Florida Office:
 C&H Baseball, Inc.
 10615 Technology Terrace #100
 Lakewood Ranch, FL 34211
 Phone : 941-727-1533
 Fax : 941-462-3076
 Toll Free: (800) 248-5192
 Email: AP@chbaseball.com
 Website: www.chbaseball.com/



NAME	DATE
mmiller	07/21/2020

PROPRIETARY AND CONFIDENTIAL
 THE INFORMATION CONTAINED IN THIS DRAWING IS THE SOLE PROPERTY OF C&H BASEBALL. ANY REPRODUCTION IN PART OR AS A WHOLE WITHOUT THE WRITTEN PERMISSION OF C&H BASEBALL IS PROHIBITED.

COMMENTS:
 UNLESS OTHERWISE SPECIFIED:
 DIMENSIONS ARE IN FEET-INCHES (METER)
 AND FOR APPROXIMATIONS ONLY
 DO NOT SCALE DRAWING

PROJECT:
CAG 300 DIMENSIONS - CLOSED

SIZE	DWG. NO.	REV
B	CAG-300-RDC	0

SCALE: 1:50 SHEET 6 OF 21

4

3

2

1