

4

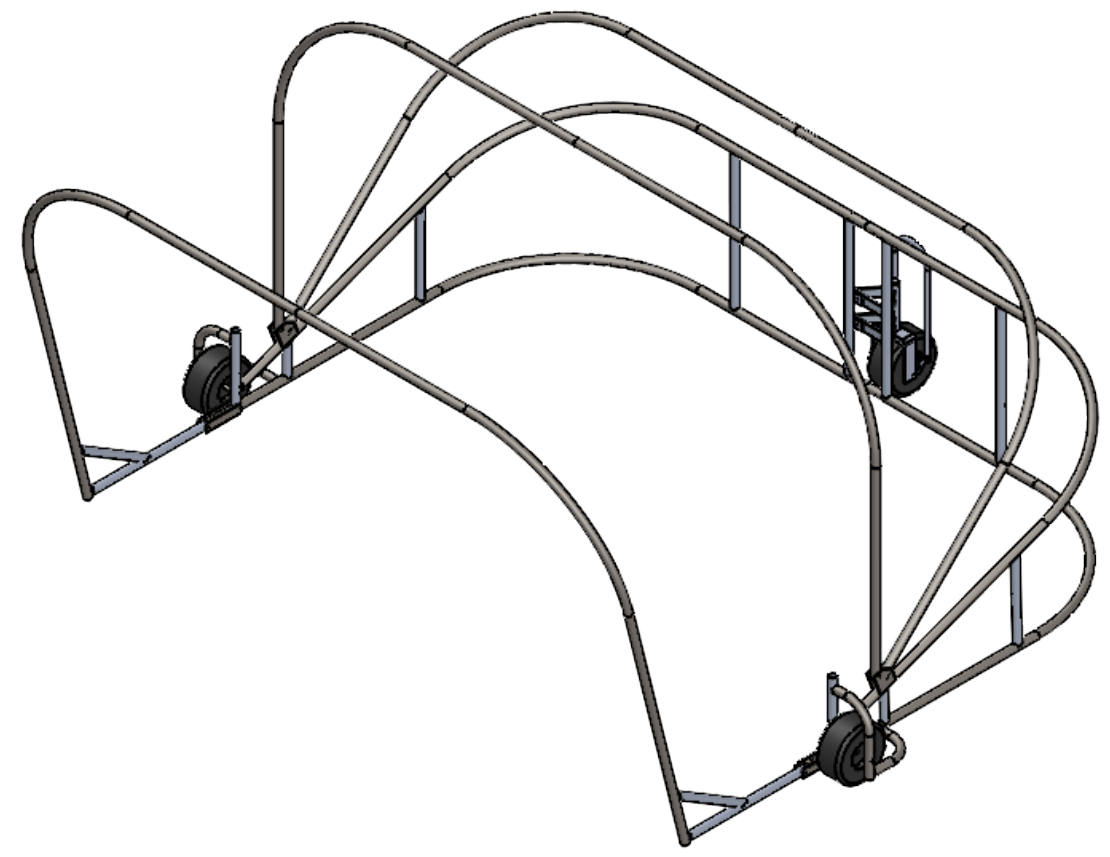
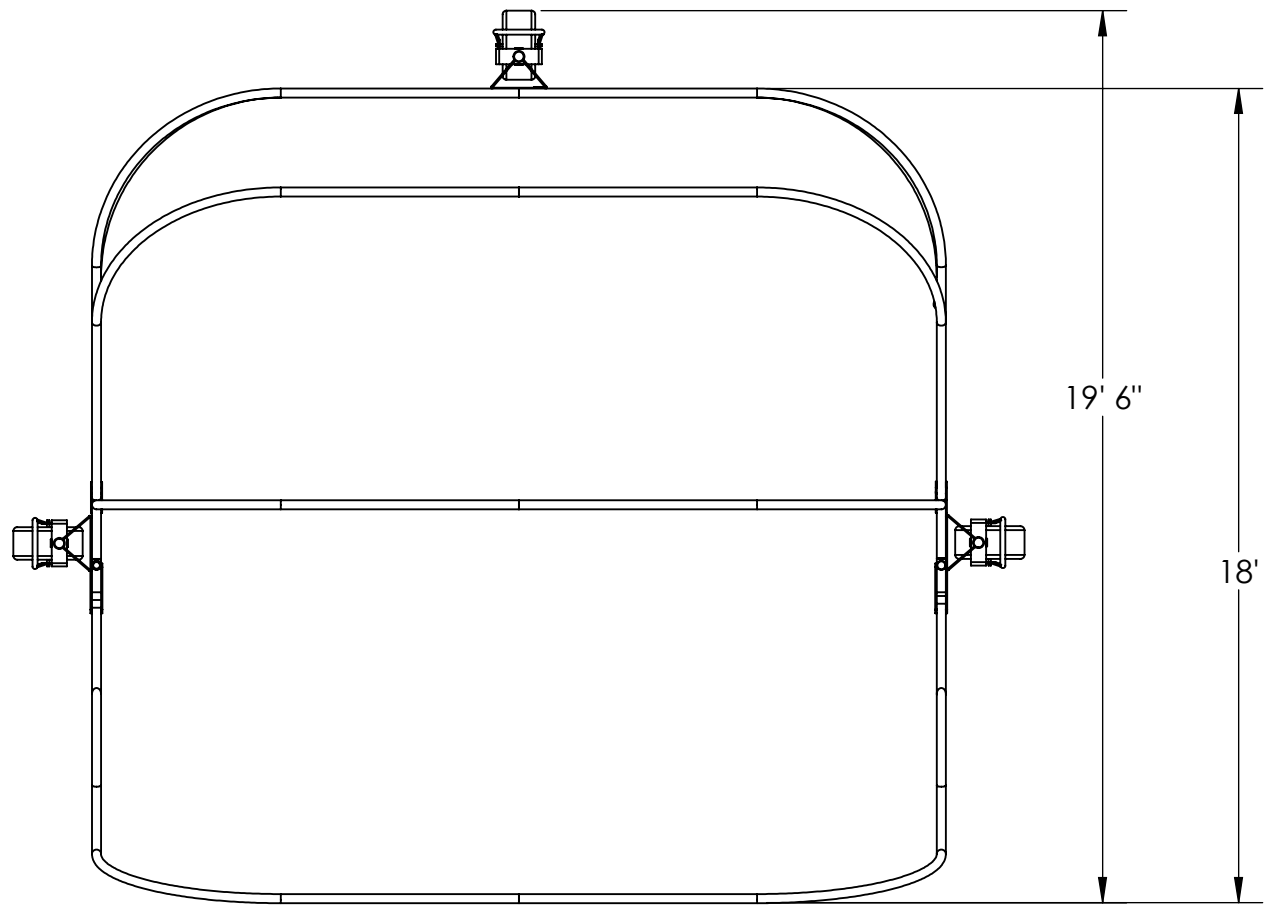
3

2

1

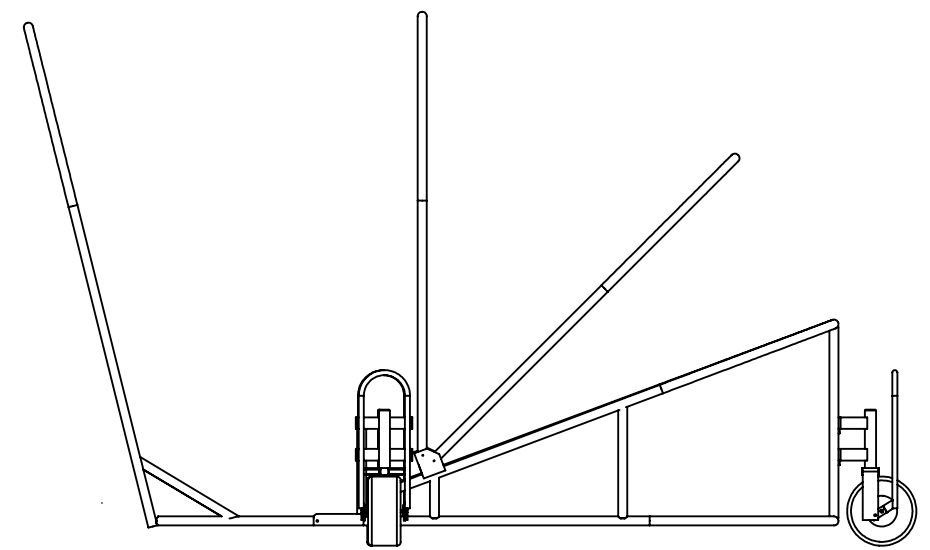
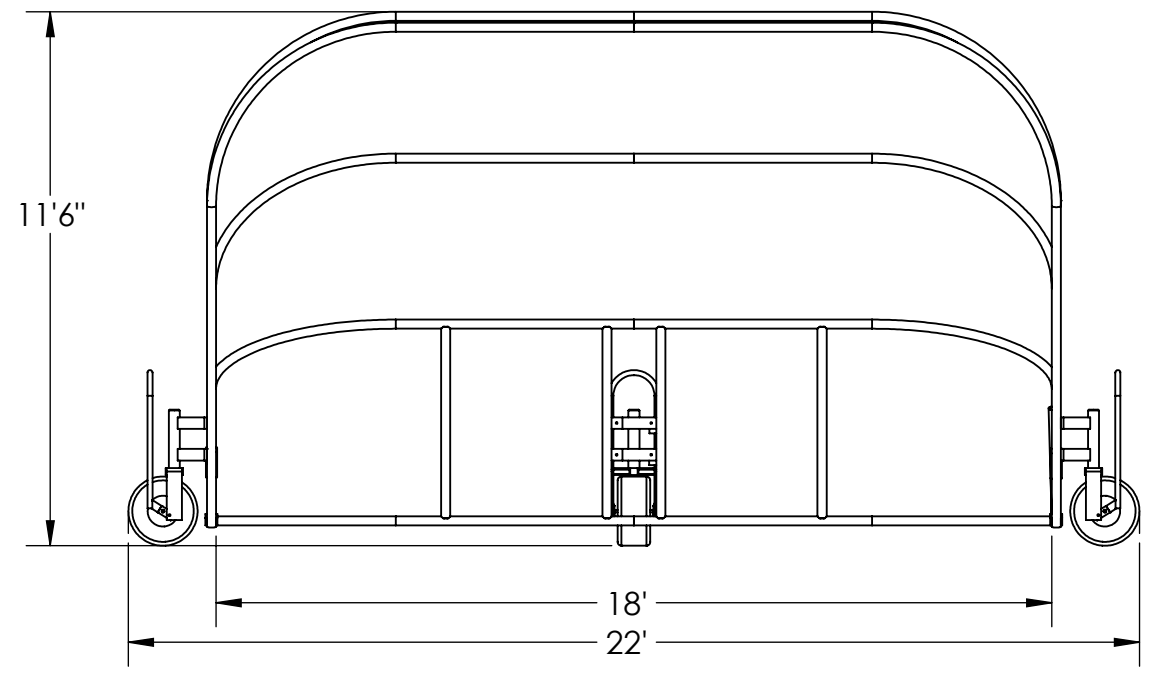
B

B



A

A



Main Florida Office:  
 C&H Baseball, Inc.  
 10615 Technology Terrace #100  
 Lakewood Ranch, FL 34211  
 Phone : 941-727-1533  
 Fax : 941-462-3076  
 Toll Free: (800) 248-5192  
 Email: AP@chbaseball.com  
 Website: www.chbaseball.com/



**PROPRIETARY AND CONFIDENTIAL**  
 THE INFORMATION CONTAINED IN THIS DRAWING IS THE SOLE PROPERTY OF C&H BASEBALL. ANY REPRODUCTION IN PART OR AS A WHOLE WITHOUT THE WRITTEN PERMISSION OF C&H BASEBALL IS PROHIBITED.

COMMENTS:  
 UNLESS OTHERWISE SPECIFIED:  
 DIMENSIONS ARE IN FEET AND FOR APPROXIMATIONS ONLY  
 DO NOT SCALE DRAWING

NAME		DATE
DRAWN	mmiller	03/16/2021
CHECKED		
DESCRIPTION: CAG 300 DIMENSIONS		
SIZE	DWG. NO.	REV
<b>B</b>	CAG300-SRDO	<b>0</b>
SCALE: 1:50		SHEET 7 OF 21

4

3

2

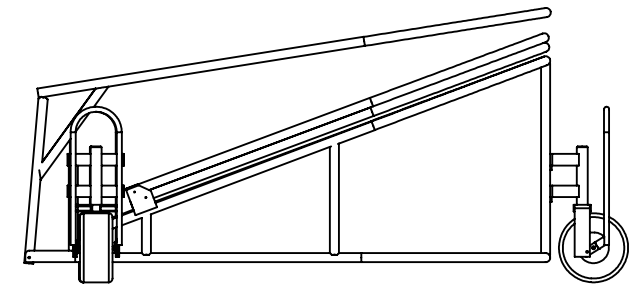
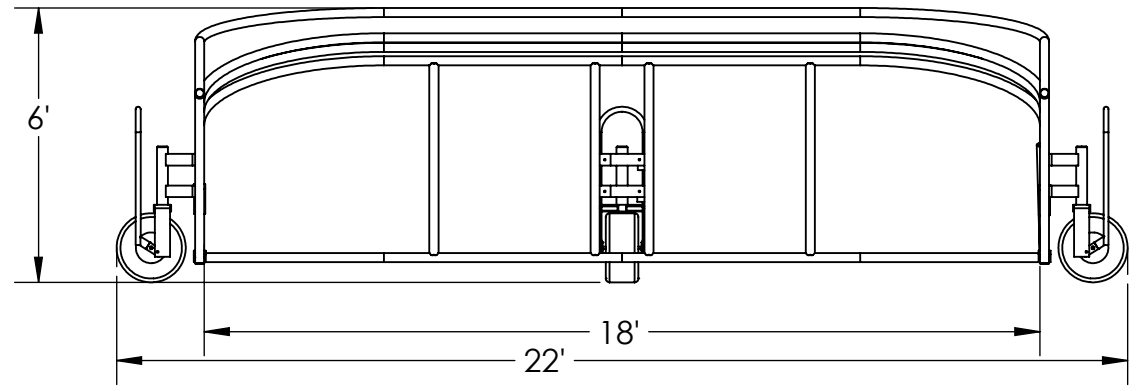
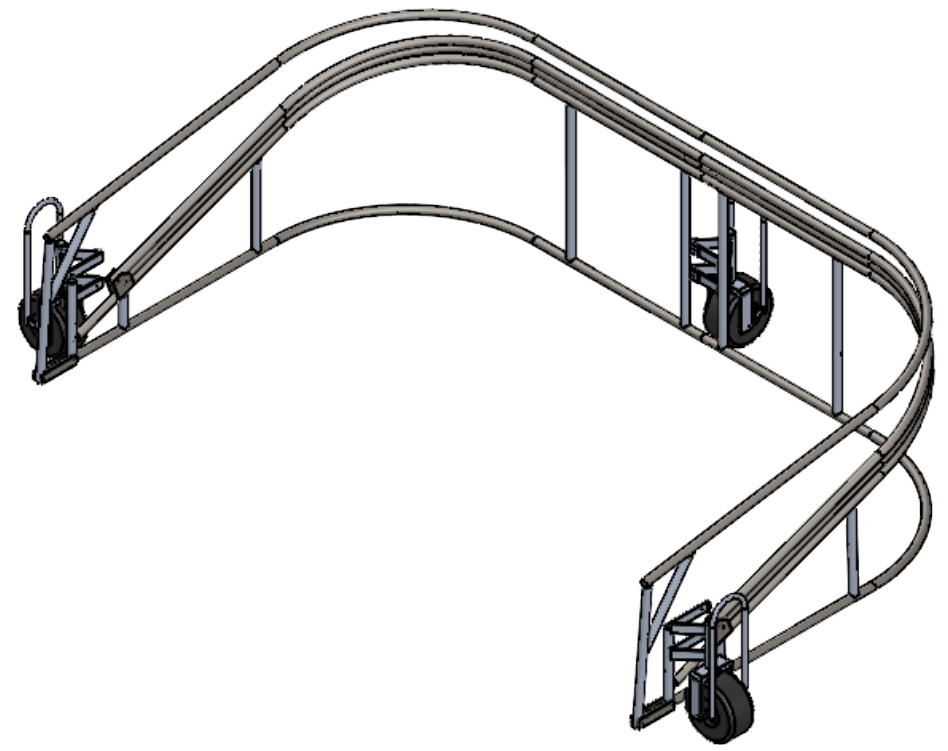
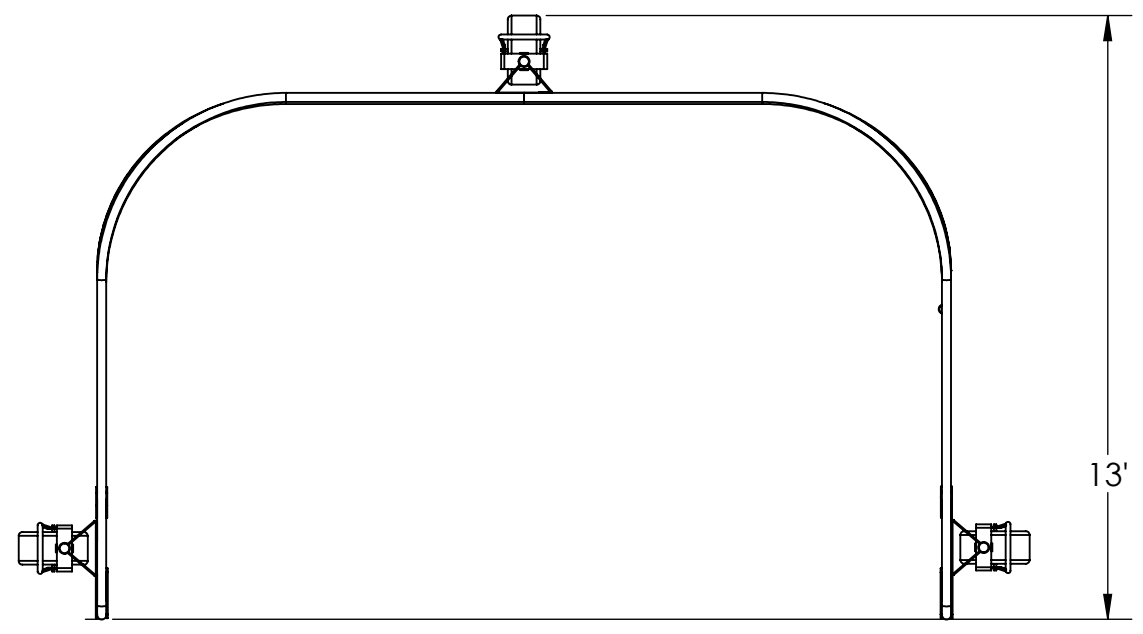
1

4

3

2

1



Main Florida Office:  
 C&H Baseball, Inc.  
 10615 Technology Terrace #100  
 Lakewood Ranch, FL 34211  
 Phone : 941-727-1533  
 Fax : 941-462-3076  
 Toll Free: (800) 248-5192  
 Email: AP@chbaseball.com  
 Website: www.chbaseball.com/



**PROPRIETARY AND CONFIDENTIAL**  
 THE INFORMATION CONTAINED IN THIS DRAWING IS THE SOLE PROPERTY OF C&H BASEBALL. ANY REPRODUCTION IN PART OR AS A WHOLE WITHOUT THE WRITTEN PERMISSION OF C&H BASEBALL IS PROHIBITED.

COMMENTS:  
 UNLESS OTHERWISE SPECIFIED:  
 DIMENSIONS ARE IN FEET AND FOR APPROXIMATIONS ONLY  
 DO NOT SCALE DRAWING

NAME		DATE
DRAWN	mmiller	03/16/2021
CHECKED		
DESCRIPTION:		
CAG 300 STORAGE DIMENSIONS		
SIZE	DWG. NO.	REV
<b>B</b>	CAG300-SRDC	<b>0</b>
SCALE: 1:50		SHEET 8 OF 21

4

3

2

1

B

B

A

A